

Jacopa® Tanker Receiving Station (TLS)



Jacopa® TLS Compact Plant for Tanker Acceptance

Key Features & Benefits:

- No Odour release
- Compact machine
- Construction work is not necessary
- Low residual content of organic matter
- Reduction of up to 40% by volume of the solid removed
- No pumps

How We Create Value:

- Low operating and maintenance costs
- Spare parts readily available (standardized components)
- Low energy requirements
- 3 standard size models



Jacopa® Tanker Receiving Station (TLS)



The Jacopa® unit provides a complete process for septic sludge treatment. The septic sludge is typically delivered by tanker delivery vehicles.

The Jacopa® TLS septic tanker delivery station is suitable for the pre-treatment of screening of waste water from municipal or industrial processes of various types, before they are released into the wastewater treatment works.

The delivery station is equipped with a suitable quick release tanker delivery connection (Perrot type or similar) and an electromechanical valve.

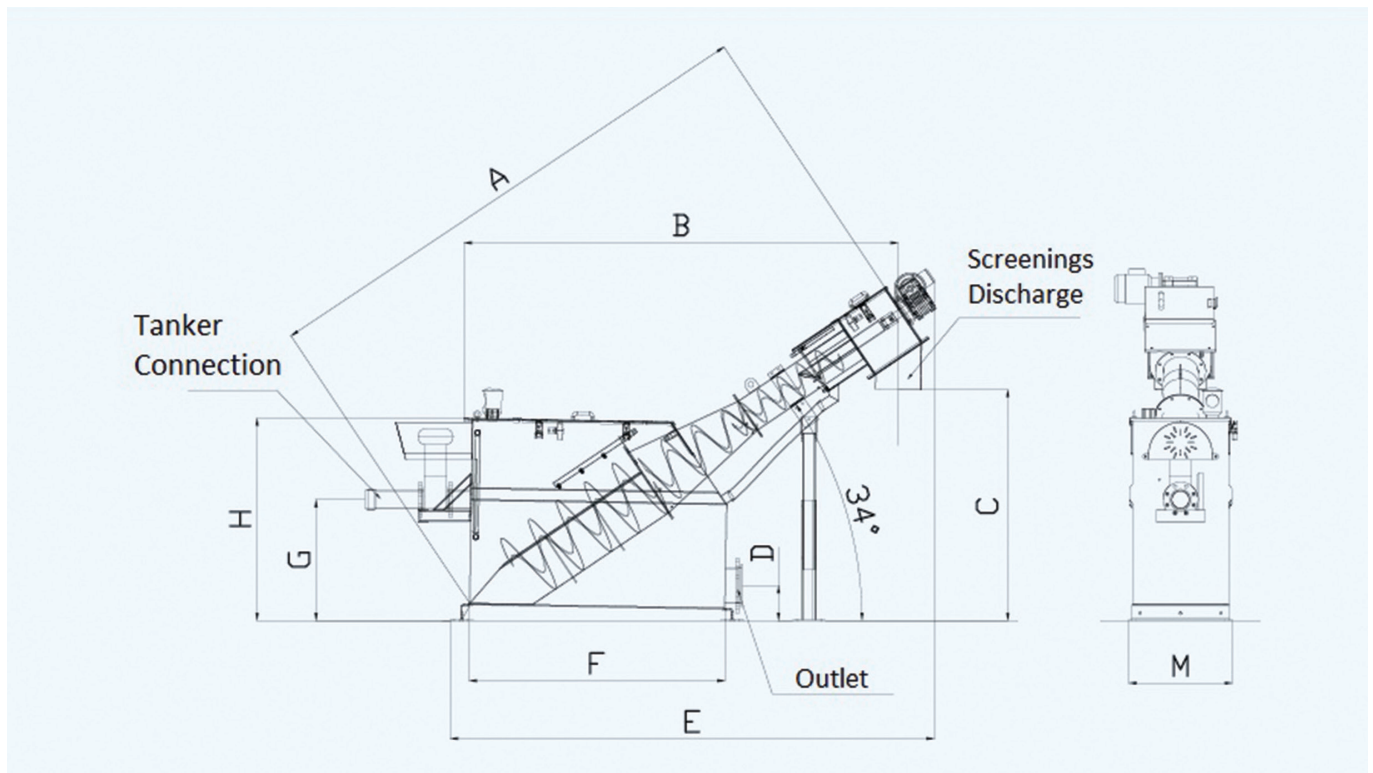
The wastewater can either be discharged directly from the tanker delivery vehicle or from a suitable storage tank. The TLS unit is fitted with a spiral screw screen with filtering options from Ø3.0mm to Ø7.0mm. The transferred flow is then filtered by the screen which removes the solids particles and elevates them out of the unit where they are drained and compacted and then discharged into an adjacent and suitable wheelie bin or skip. The screenings are washed using final effluent or similar, which makes the compacted plug suitable for landfill disposal.

Compacted screenings can be bagged as an option through a Longopac unit fitted to the discharge point.

The TLS unit is a fully enclosed system that prevents odour release.



Jacopa® Tanker Receiving Station (TLS)



Model	Screen	kW Screen	kW Valve	M3/hr	Inlet	Outlet
TLS 50	SCS 50	1.1	0.18	50	DN100	DN200
TLS 75	SCS 60	1.5	0.18	75	DN100	DN200
TLS 100	SCS 70	1.5	0.18	100	DN100	DN200

Model	A mm	B mm	C mm	D mm	E mm	F mm	G mm	H mm	Ø I mm	Ø L mm	M mm	Weight Kg
TLC 50	3550	2800	1500	220	3050	1600	758	1280	219	273	680	630
TLC 75	4000	3290	1700	220	3750	1750	957	1440	323	323	810	780
TLC 100	4510	3650	1890	220	4050	2000	1140	1600	323	323	856	940

Jacopa® Tanker
Receiving Station
(TLS)

